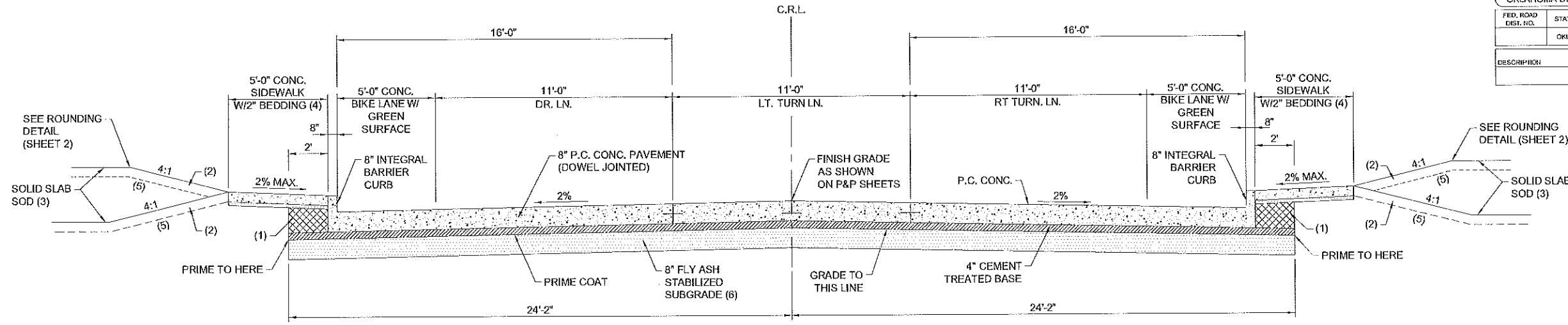
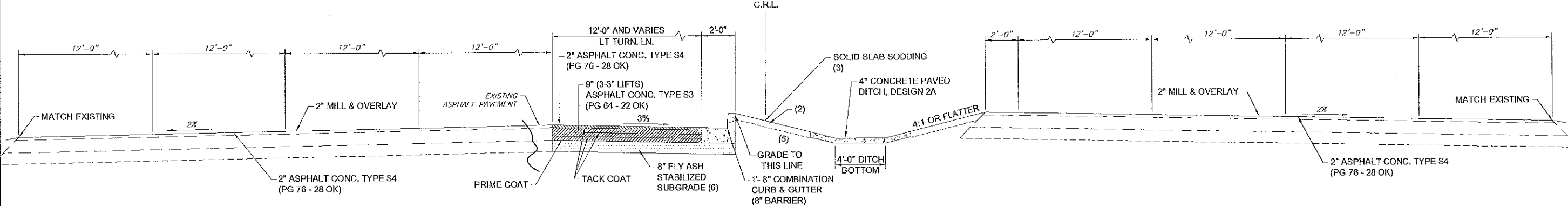


OKLAHOMA DEPARTMENT OF TRANSPORTATION					
FED. ROAD DIST. NO.	STATE	STATE JOB NO.	FISCAL YEAR	SHEET NO.	TOTAL SHEETS
	OKLA	29289(04)		3	
DESCRIPTION		REVISIONS		DATE	

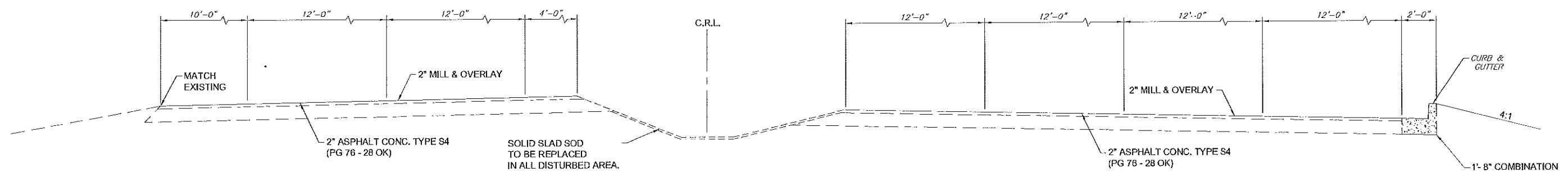


TYPICAL SECTION NO. 3 (3 LANE)
STA. 119+79.32 TO STA. 121+81.67

NOTE:
PIPE UNDER PAVEMENT WILL BE BACKFILLED WITH ROCK.



TYPICAL SECTION NO. 4 (ADDITIONAL LEFT TURN LANE - SH-9)
STA. 305+71.68 TO STA. 308+41.77



TYPICAL SECTION NO. 5 (MILL & OVERLAY - SH-9)
STA. 301+30 TO STA. 306+14 (RT)
STA. 304+07 TO STA. 309+85 (LT.)

NOTES:

- (1) BACKFILL NOTE:
THIS AREA TO BE BACKFILLED AND COMPACTED AS PART OF THE FINISHING OPERATIONS. COST TO BE INCLUDED IN UNCLASSIFIED BORROW. BACKFILL AND STANDARD BEDDING MATERIALS WILL BE INCLUDED ON OTHER PAY ITEMS.
- (2) TOPSOIL NOTE:
THE CONTRACTOR SHALL STRIP ALL OF THE AVAILABLE TOPSOIL, STOCKPILE IT, AND PLACE IT BACK ON THE SECTION IN ACCORDANCE WITH SECTION 205 OF THE STANDARD SPECIFICATION. RESERVED TOPSOIL SHALL BE SPREAD FIRST ON THE COMPLETED SLOPES OF CUT SECTIONS AND THE REMAINDER ON COMPLETED FILL SLOPES OR OTHER PRIORITY AREAS LOCATED BY THE ENGINEER. ALL ADDITIONAL COSTS ASSOCIATED WITH OPERATION SHALL BE INCLUDED IN THE PAY ITEM FOR SALVAGED TOPSOIL, LUMP SUM.
- (3) EXISTING GRASSED AREAS DISTURBED SHALL BE SOLID SLAB SODDED TO RIGHT-OF-WAY LINE.
- (4) LOCATION OF SIDEWALK VARIES. SEE PLAN AND PROFILE SHEETS FOR LOCATION OF PROPOSED SIDEWALK. PRICE OF BEDDING MATERIAL TO BE INCLUDED IN THE COST OF THE SIDEWALK.
- (5) THE GRADING LINE AS SHOWN ON THE TYPICAL AND CROSS SECTIONS IS TO THE TOP OF THE TOPSOIL. EARTHWORK QUANTITIES WERE NOT ADJUSTED FOR SALVAGE AND THE TOPSOIL QUANTITY IS INCLUDED IN THE MASSLINE BALANCE.
- (6) THE STABILIZED SUBGRADE SHALL BE TREATED WITH 15% FLY ASH THE FULL LENGTH OF THE TYPICAL SECTIONS FOR PAVEMENT CONSTRUCTION.

OKLAHOMA DEPARTMENT OF TRANSPORTATION			
DESIGN	SKC		
DRAWN	T1		
CHECKED	SKC		
APPROVED	MNR		
SQUAD	Tt		
		TYPICAL SECTIONS	
		STATE JOB NO. 29289(04)	SHEET NO. 3
		CLEVELAND COUNTY	

2/16/2017 4:37:46 PM - P:0865 21131-0865 2-13001\CA\SH\FILES\TYPICAL SECTIONS.DWG - RODRIGUEZ, AVY